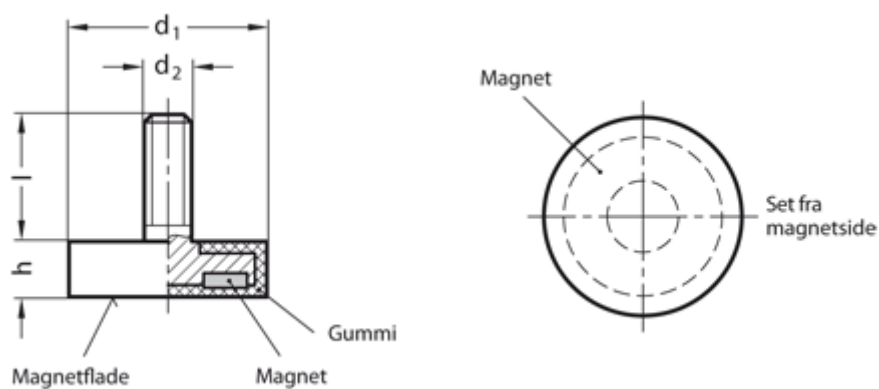


Article number: 20513ND12M4SW

Description: E+G Magnet - female thread GN 51.3-ND-12-M4-SW
ND Neodym, iron, boron, 80°C, 13N

Measures



d1 = 12

d2 = M4

h = 7

Holding force N = 13

l = 8.5

Material = ND Neodym, jern, bor - 80° C